

# Measuring Guide For Window Blinds

## Please Note:

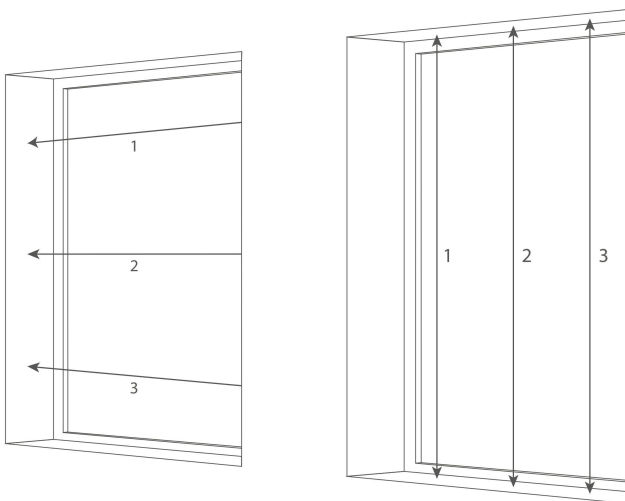
- All measurements should be provided in cm
- All our blinds are made with a 0.5cm manufacturing tolerance (width & drop).
- Always use a metal tape measure when taking the measurements.

## Standard Windows

### Recess Size

This is the measurement you need to make if the blind needs to fit inside the window recess. Measure the width and the drop in three different positions ensuring you provide us with the smallest measurement.

We will make any necessary deductions to ensure the blind fits neatly within the recess of the window.



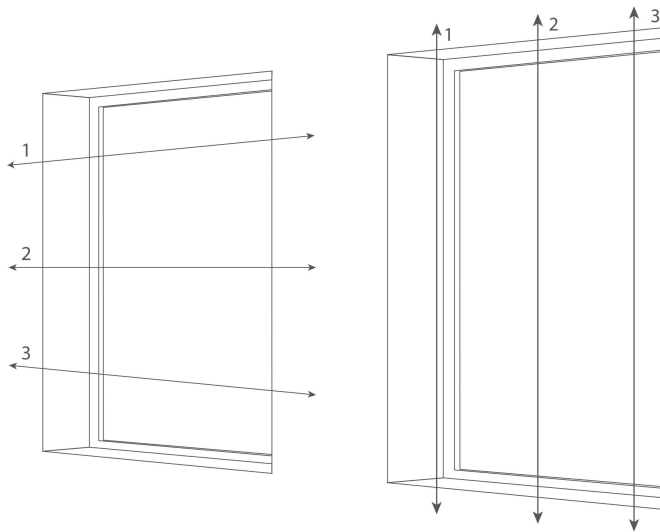
### Top tip for blackout blinds

Our fabric experts recommend when ordering a blackout blind, you fit this outside the window recess using the 'exact' blind measurement thus ensuring as much external light as possible is blocked out.

### Top tip for vertical blinds

The headrail is included in the drop of the blind therefore the louvres will be shorter than the drop.

### Exact Size



An exact size blind is also known as 'pin width' or 'finished blind width'. This is the measurement you need to make if the blind needs to hang outside the recess overlapping the window. Decide how much you wish to overlap the recess at each side, we recommend at least 7.5cm at each side as well as the top and bottom so as to minimise as much external light as possible.

Measure the width and the drop in three different positions ensuring you provide us with the smallest measurement. We will not make any deductions from the measurements provided.